

LED High Power Floodlight

Model No: ADF-75W30-HP, ADF-75W40-HP, ADF-75W50-HP, ADF-150W30-HP, ADF-150W40-HP, ADF-150W50-HP, ADF-230W30-HP, ADF-230W50-HP, ADF-300W30-HP, ADF-300W40-HP, ADF-300W50-HP, ADF-450W30-HP, ADF-450W40-HP, ADF-450W50-HP, ADF-600W30-HP, ADF-600W40-HP, ADF-600W50-HP



Features

- Aluminum housing with PC lens / foggy glass
- Highly efficient heat dissipation
- lifespan 50000 hrs
- IP65 rating for indoor and outdoor use
- LED modules can be tilted
- Beam angle = 60deg / 90deg / 110 deg
- Humidity 0 ~ 95%
- LUMILEDS LED chipset



Product Specification

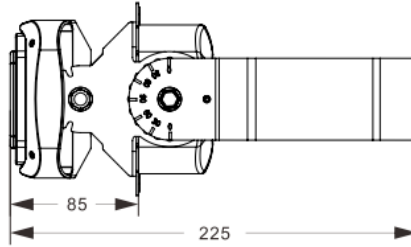
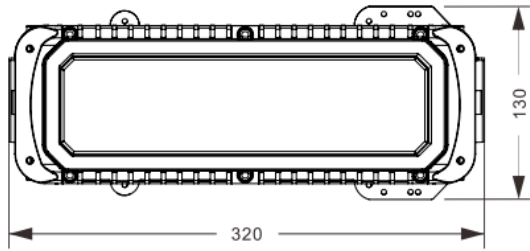
Model number	Voltage	Power (W)	Minimum Lumen	Color Temp	CRI	LxHxW	
ADF-75W30-HP	100-240Vac	75W	8250	3000K	>70 for 60deg / 90deg	320x130x225mm	
ADF-75W40-HP			9380	4000K			
ADF-75W50-HP			9380	5000K			
ADF-150W30-HP		150W	16500	3000K		>80 for 110 deg	320x215x275mm
ADF-150W40-HP			18500	4000K			
ADF-150W50-HP			18500	5000K			
ADF-230W30-HP		230W	25300	3000K	>70 for 60deg / 90deg		320x324x275mm
ADF-230W40-HP			26900	4000K			
ADF-230W50-HP			26900	5000K			
ADF-300W30-HP		300W	33000	3000K		>80 for 110 deg	320x433x275mm
ADF-300W40-HP			37500	4000K			
ADF-300W50-HP			37500	5000K			
ADF-450W30-HP		450W	49500	3000K	>70 for 60deg / 90deg		628x324x275mm
ADF-450W40-HP			53100	4000K			
ADF-450W50-HP			53100	5000K			
ADF-600W30-HP		600W	66000	3000K		>80 for 110 deg	628x433x275mm
ADF-600W40-HP			74000	4000K			
ADF-600W50-HP			74000	5000K			

Remarks:

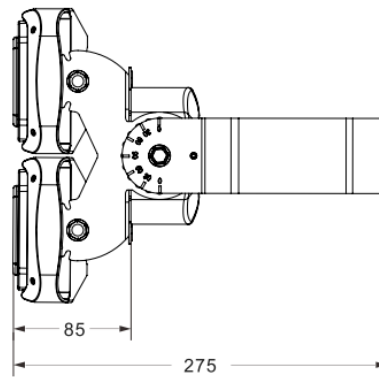
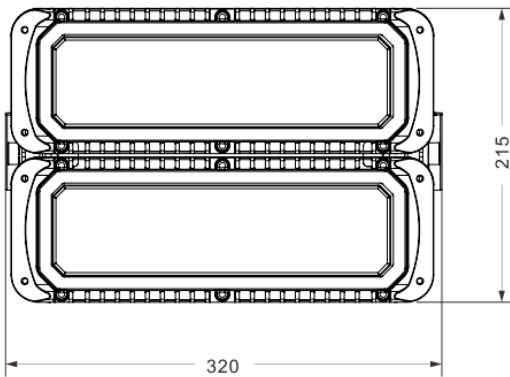
Power consumption varies +/- 10%

Lumen varies +/- 10%

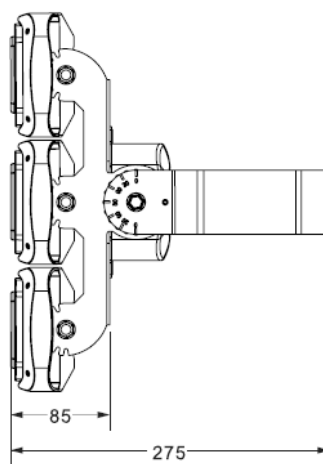
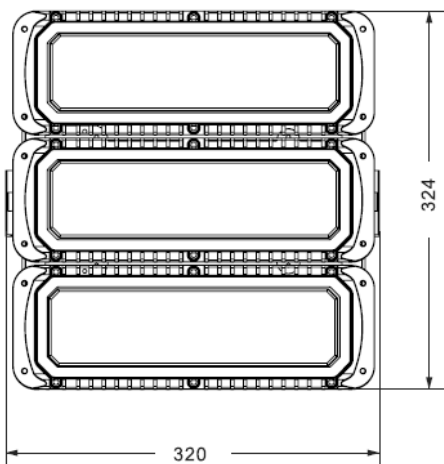
75W



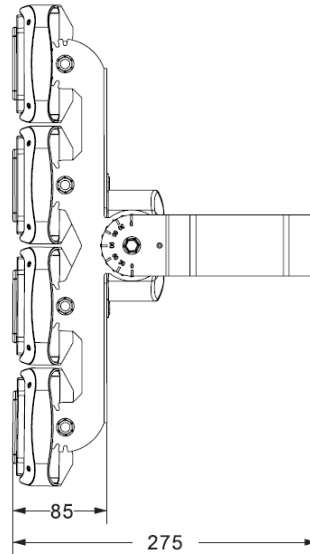
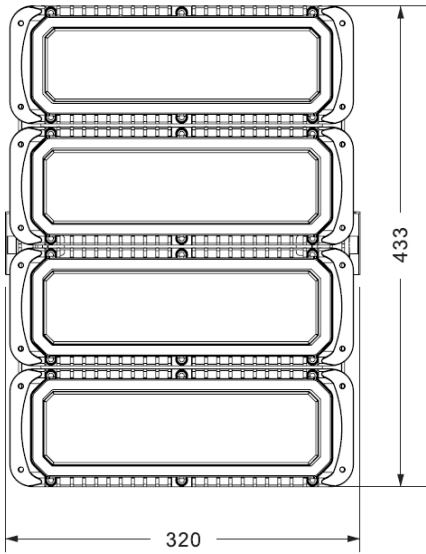
150W



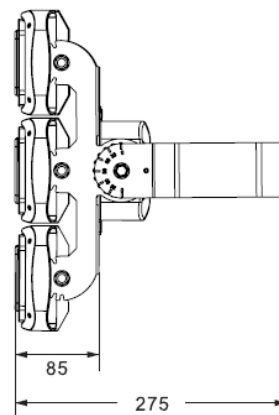
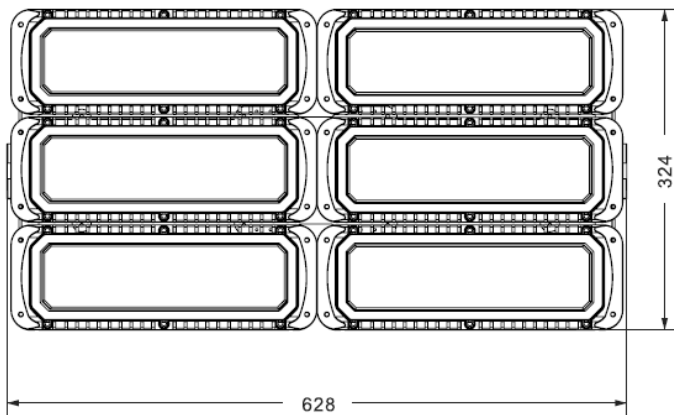
230W



300W



450W



600W

